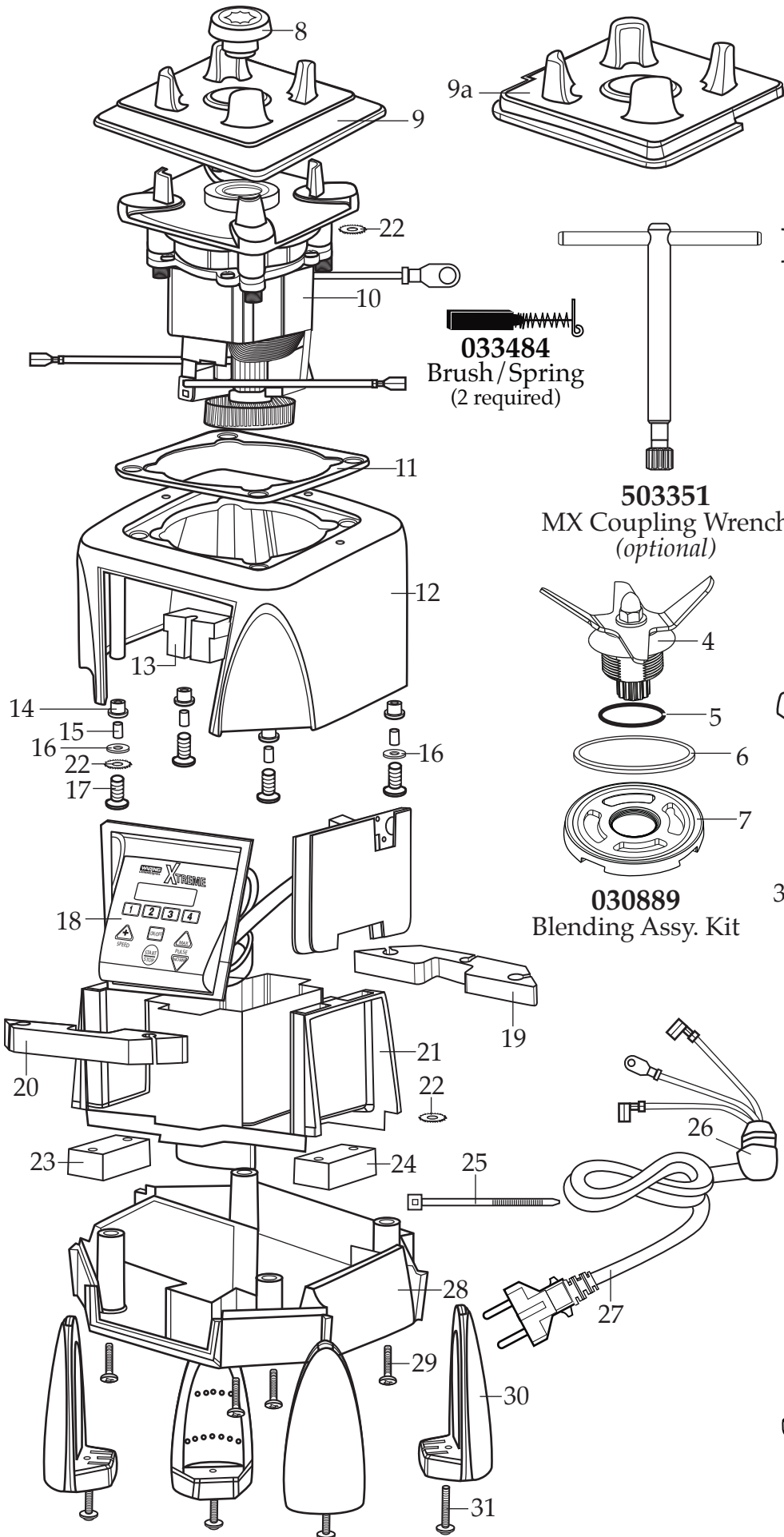


WARING
COMMERCIAL

MX1300XTXEE
64 oz. stackable container Europe

MX1500XTXSEE
64 oz. stackable container with
Sound Enclosure Europe



033484
Brush/Spring
(2 required)

503351
MX Coupling Wrench
(optional)

030889
Blending Assy. Kit

032322
2 Piece Lid

032761
MX Jar Wrench
(optional)

Catalog
MX1300XTXEE
MX1500XTXSEE

Model
MX1300XT11CE
MX1500XT12CE

Waring Factory Service Center
314 Ella T. Grasso Ave.
Torrington, CT 06790
Tele. 1-800-269-6640
Fax 860-496-9017
www.waringcommercialproducts.com

Illustration #	Part #	Description
1	028769-E	Jar Lid Cover
2	028768	Jar Lid
3	503326	Jar ONLY (64 oz. stackable)
	503398	Jar with Blending Assembly (64 oz. stackable)
4	503397	Blade Assembly
5	024271	Bearing Holder O Ring
6	024268	Nut Gasket
7	029631	Bearing Holder Nut
8	028538	Drive Clutch
9	026442	Jar Pad
9a	026443	Jar Pad for sound enclosure
10	028824	Motor
11	026437	Dampening Plate Gasket
12	503382-E 028032-09	Top Housing with Ferrite Core & Cord (<i>current production</i>) Top Housing-black
13	028541	Motor Foam (2 Required)
14	026439	Dampening Plate Bushing (4 Required)
15	026453	Dampening Plate Sleeve (4 Required)
16	026459	Washer (2 Required)
17	028929	Screw (4 Required)
18	029816 028397	Soft Start Control Panel (<i>current production</i>) Control Panel
19	028248	Housing Foam Baffle-rear
20	028249	Housing Foam Baffle-front
21	028240	Motor Housing
22	002943	Washer (3 Required)
23	028247	Bottom Housing Foam Baffle
24	028542	Foam Baffle
25	013731	Cable Tie (3 Required)
26	007556	Strain Relief
27	503382-E 503141	Top Housing with Ferrite Core & Cord (<i>current production</i>) Cord Set
28	028241-09-x	Bottom Housing-black

Illustration #	Part #	Description
29	012505	Screw (4 Required)
30	026430	Corner Post (4 Required)
31	028928	Screw (4 Required)
32	026432-E	SE1000 Inner Sound Enclosure
33	027447	"O" Ring (2 Required)
34	026433-E	SE1000 Outer Sound Enclosure
35	026461	Screw (3 Required)
36	012505	Screw (2 Required)
37	026434	Sound Enclosure Handle

